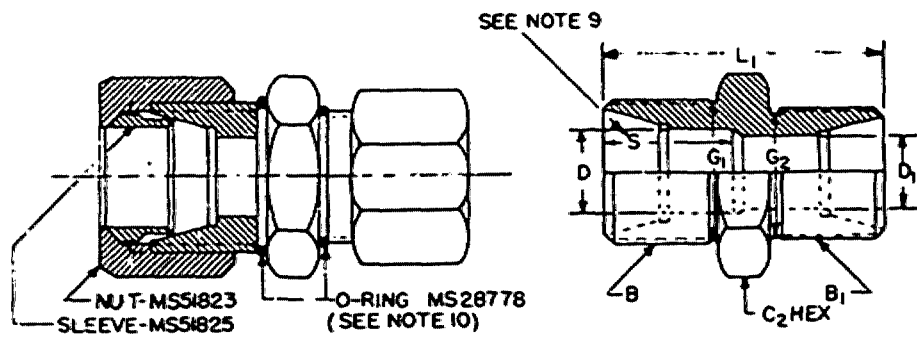


FED. SUP CLASS
4730



NONSTANDARD SIZES - NOT RECOMMENDED FOR NEW DESIGN AND ENGINEERING

DASH NUMBER		TUBE		B	B ₁	C ₂	D	D ₁	G ₁	G ₂	L ₁	S
ASSY	BODY	O. D.	NOM	STRAIGHT THREAD CLASS 2A	STRAIGHT THREAD CLASS 2A	HEX FLAT NOM	DIA DRILL	DIA DRILL	DIA +0.002 -0.003	DIA +0.002 -0.003	±0.02	MAX
1	11	3/8	1/4	9/16-18UNF	7/16-20UNF	13/16	0.281	0.203	0.482	0.364	1.22	0.60
2	12	1/2	3/8	3/4 -16UNF	9/16-16UNF	1	0.422	0.281	0.660	0.482	1.33	0.69
3	13	3/4	3/8	1-1/16-12UN	9/16-18UNF	1-3/8	0.656	0.281	0.945	0.482	1.60	0.68

- NOTES:
- MATERIAL:** Steel, carbon in accordance with procurement specification.
Steel, corrosion-resisting in accordance with procurement specification.
 - PROTECTIVE COATING:** Cadmium plated in accordance with procurement specification.
Zinc plated in accordance with procurement specification.
Phosphate coating in accordance with procurement specification.
Passivation treatment in accordance with procurement specification.
 - DIMENSIONS AND TOLERANCES:** Dimensions and tolerances not shown shall be in accordance with the SAE Standard for Flareless Tube Fittings (SAE J514).
 - THREADS:** Threads shall be in accordance with Screw-Thread Standards for Federal Services, FED-STD-N2A.
 - PART NUMBER:** The MS part number consists of the MS number, plus the dash number and (for complete assembly) the applicable MS51825 sleeve style designator.
 - For complete assembly (with nuts and sleeves), cadmium plated, use the MS number, plus the assembly dash number and the sleeve style designator. Example: MS51895-1A or MS51895-1B.
 - For body only, cadmium plated, use the MS number and the body dash number. Example: MS51895-11.
 - For zinc coating add "z" and (for complete assembly) the sleeve style designator to the dash number. Example: MS51895-12A or MS51895-12B or MS51895-112.
 - For phosphate coating add "p" and (for complete assembly) the sleeve style designator to the dash number. Example: MS51895-1PA or MS51895-1PB or MS51895-11P.
 - For corrosion-resisting steel add "SS" and (for complete assembly) the sleeve style designator to the dash number. Example: MS51895-1SSA or MS51895-1SSB or MS51895-11SS.
 - For design feature purpose, this standard takes precedence over procurement documents referenced herein.
 - Reference documents shall be of the issue in effect on date of invitations for bid.
 - The illustration is for identification and is not intended to restrict designs or shapes not dimensioned.
 - At manufacturer's option, through passages may conform with the smaller diameter specified or at the appropriate end may be counterbored to the larger diameter for depth S.
 - Procure the O-rings separately and install immediately before installation of the fitting.
 - The bodies will be used for production only and SHALL NOT be stocked for maintenance.

Ⓐ User Activities:
Navy - OS, NC

Ⓐ Review Activities:
Army - AT, NE
Air Force - 82
DA - CS

DISTRIBUTION STATEMENT A. Approved for public release, distribution is unlimited. This military standard is approved for use by all Departments and Agencies of the Department of Defense. Selection for all new engineering and design applications and for repetitive use shall be made from this document.

Ⓐ Ⓐ Denotes change

P A Other Cust 99	AR SH	TITLE REDUCER, TUBE, LARGE HEX, O-RING, FLARELESS TYPE, HYDRAULIC	MILITARY STANDARD MS51895
PROCUREMENT SPECIFICATION NIL-F-1M66	SUPERSEDES	SHEET 1 OF 1	

APPROVED 25 APR 1975 REVISED Ⓐ 30 July 1987