

3388

FED. SUP CLASS
5310

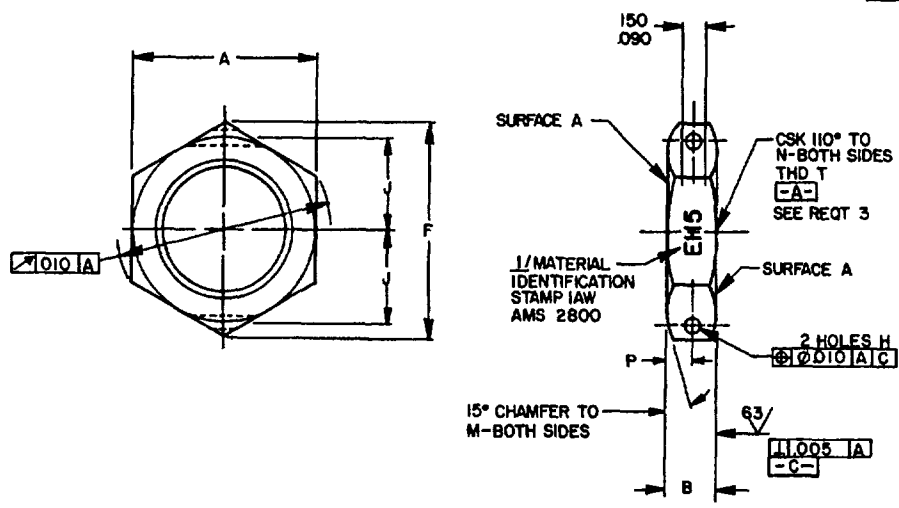


TABLE I. DASH NUMBERS AND DIMENSIONS.

DASH NUMBER	NOM TUBE OD	THREAD T	A	B	F MIN	$\phi H \pm .005$	J BASIC	ϕH	ϕN	P BASIC	APPROX WEIGHT LB/100
-02	.125	.3125-24 UNJF-3B	.553-.564	.219	.631	.047	.240	.562	.322	.110	1.25
-03	.188	.375-24 UNJF-3B	.616-.627	.219	.703	.047	.270	.625	.385	.110	1.44
-04	.250	.4375-20 UNJF-3B	.679-.690	.250	.775	.047	.305	.688	.448	.125	1.92
-05	.312	.500-20 UNJF-3B	.741-.752	.250	.846	.055	.340	.750	.510	.125	2.18
-06	.375	.5625-18 UNJF-3B	.803-.814	.266	.916	.055	.370	.812	.572	.133	2.56
-07	.438	.625-18 UNJF-3B	.865-.877	.266	.987	.055	.405	.875	.635	.133	2.87
-08	.500	.750-16 UNJF-3B	.990-1.002	.312	1.130	.062	.470	1.000	.760	.157	4.04
-09	.562	.8125-16 UNJ-3B	1.052-1.064	.312	1.200	.062	.500	1.062	.822	.157	4.24
-10	.625	.875-14 UNJF-3B	1.114-1.127	.359	1.271	.062	.540	1.125	.885	.180	5.45
-11	.688	1.000-12 UNJF-3B	1.301-1.314	.406	1.484	.070	.625	1.312	1.010	.204	8.79
-12	.750	1.0625-12 UNJ-3B	1.364-1.377	.406	1.556	.070	.660	1.375	1.072	.204	9.37
-14	.875	1.1875-12 UNJ-3B	1.489-1.502	.406	1.699	.070	.725	1.500	1.198	.204	10.45
-16	1.000	1.3125-12 UNJ-3B	1.614-1.627	.406	1.842	.070	.790	1.625	1.322	.204	11.68
-18	1.125	1.500-12 UNJF-3B	1.800-1.814	.406	2.054	.070	.890	1.812	1.510	.204	13.47
-20	1.250	1.625-12 UNJ-3B	1.926-1.940	.406	2.198	.070	.960	1.938	1.635	.204	14.76
-24	1.500	1.875-12 UNJ-3B	2.176-2.190	.406	2.483	.070	1.095	2.188	1.885	.204	17.23
-28	1.750	2.250-12 UNJ-3B	2.549-2.564	.406	2.908	.070	1.295	2.562	2.260	.204	21.32
-32	2.000	2.500-12 UNJ-3B	2.799-2.814	.406	3.194	.070	1.425	2.812	2.510	.204	24.19

USER ACTIVITIES
ARMY - AT, ER, ME

REVIEWER ACTIVITIES
AIR FORCE - 11
DLA - 15

DISTRIBUTION STATEMENT A Approved for public release; distribution is unlimited
This military standard is approved for use by all Departments and Agencies of the Department of Defense.
Selection for all new engineering and design applications and for repetitive use shall be made from this document when applicable.

APPROVED 15 OCT 58 REVISED 30 SEP 86

ENTIRE STANDARD REVISED

P.A NAVY-AS Other Curt ARMY-AV	INTERNATIONAL INTEREST	TITLE NUT, PLAIN, HEX, BOSS CONNECTION, CORROSION RESISTANT STEEL	MILITARY STANDARD MS9201
PROCUREMENT SPECIFICATION NONE	SUPERSEDES	PAGE 1	OF 2

AMSC N/A

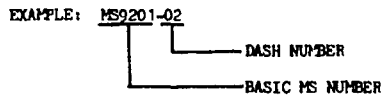
DD FORM 1 MAY 73 672-1 (COORDINATED)

PREVIOUS EDITIONS OF THIS FORM ARE OBSOLETE

5310-1562

REQUIREMENTS:

1. MATERIAL. CORROSION RESISTANT STEEL IN ACCORDANCE WITH AMS 5646-82.
2. FINISH. SILVER PLATE IN ACCORDANCE WITH AMS 2410 THICKNESS .0003-.0006. DIMENSIONS SPECIFIED ARE AFTER PLATING.
3. THREADS. THREADS SHALL BE IN ACCORDANCE WITH MIL-S-8879.
4. SURFACE TEXTURE. SURFACE TEXTURE SHALL BE IN ACCORDANCE WITH AS291-64.
5. MARKING. IN MULTIPLE MARKING OF BAR STOCK, DUPLICATION OF WHOLE OR PART OF SYMBOL OR OFFSET OF SYMBOL SUCH THAT UPPER PORTION APPEARS BELOW LOWER PORTION ON FINISHED PART IS PERMISSIBLE PROVIDED POSITIVE IDENTIFICATION IS SHOWN. PARTS SHALL BE MARKED BEFORE THREADING.
6. EDGES. BREAK SHARP EDGES .003-.015, UNLESS OTHERWISE SPECIFIED.
7. TOLERANCES. UNLESS OTHERWISE SPECIFIED, TOLERANCES FOR LINEAR DIMENSIONS $\pm .010$, FOR ANGULAR DIMENSIONS $\pm 5^\circ$
8. PART NUMBER. THE PART NUMBER SHALL CONSIST OF THE BASIC MS NUMBER FOLLOWED BY A DASH NUMBER FROM TABLE I



MS9201-02 INDICATES - NUT, PLAIN, HEXAGON, BOSS CONNECTION, .3125-24 UNJF-3B.

NOTES:

1. ALL DIMENSIONS ARE IN INCHES.
2. DO NOT USE UNASSIGNED PART NUMBERS.
3. IN THE EVENT OF A CONFLICT BETWEEN THE TEXT OF THIS STANDARD AND THE REFERENCES CITED HEREIN, THE TEXT OF THIS STANDARD SHALL TAKE PRECEDENCE
4. REFERENCED GOVERNMENT (OR NONGOVERNMENT) DOCUMENTS OF THE ISSUE LISTED IN THAT ISSUE OF THE DEPARTMENT OF DEFENSE INDEX OF SPECIFICATIONS AND STANDARDS (DODISS) SPECIFIED IN THE SOLICITATION FORM A PART OF THIS STANDARD TO THE EXTENT SPECIFIED HEREIN.
5. THIS STANDARD WAS DEVELOPED COOPERATIVELY WITH THE ENGINE AND PROPELLER UTILITY PARTS COMMITTEE OF THE SAE.
6. AS AND AMS ARE SAE PUBLICATIONS.

USER ACTIVITIES:
ARMY-AT, ER, ME

REVISOR ACTIVITIES:
AIR FORCE-11
DLA-1S

This military standard is approved for use by all Departments and Agencies of the Department of Defense. Applications for all new engineering and design applications and for repetitive use shall be made from this document.

APPROVED 15 OCT 58 REVISED (B) FOR CHANGES SEE PAGES I AND 2

P A. NAVY-AS Other Cost ARMY-AV	INTERNATIONAL INTEREST	TITLE NUT, PLAIN, HEX, BOSS CONNECTION, CORROSION RESISTANT STEEL	MILITARY STANDARD
			MS9201
PROCUREMENT SPECIFICATION NONE	SUPERSEDES	PAGE 2 OF 2	2 2